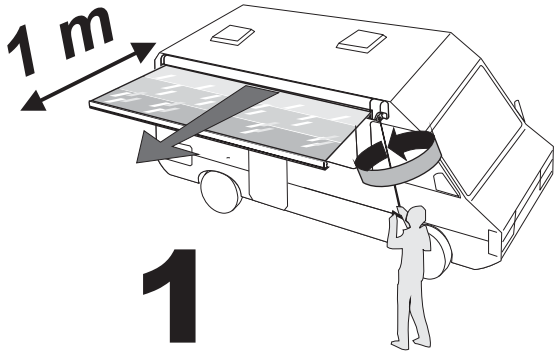
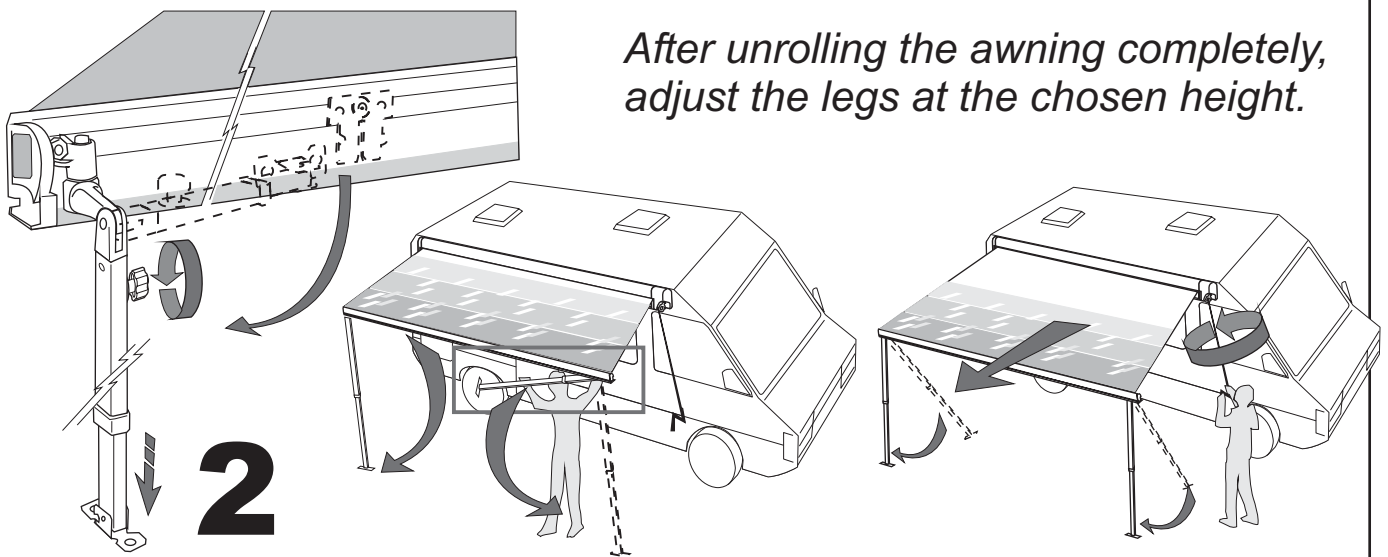


INSTRUCTIONS FOR USE

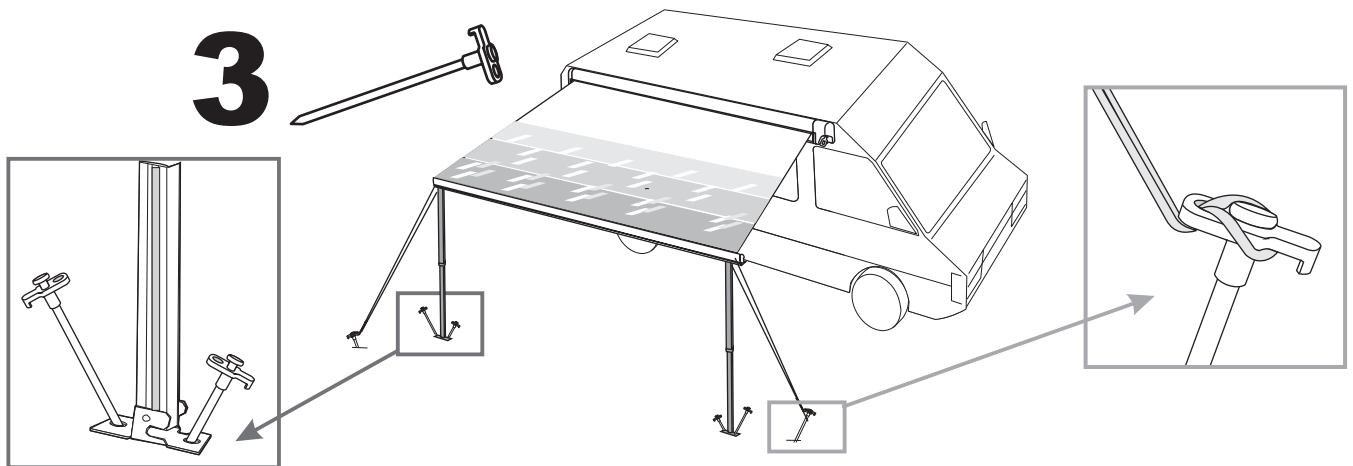


In order to avoid unnecessary strain on the awning as well as on the vehicle side, we suggest to take out the legs at about 1m from the opening.



After unrolling the awning completely, adjust the legs at the chosen height.

To avoid that the awning is lifted up by an unexpected gust of wind, it is necessary to secure the legs to the ground with the provided hooks. For greater safety, we strongly advise you also to use some storm cords in the upper part of each support leg or to anchor the awning with the Fiamma Tie-Down Kit strap.



Please step backwards the procedure to close the awning